

# KINTEK®

**POLYGONAL TOOLHOLDERS DIN ISO 26623-1**  
**MANDRINI ATTACCO POLIGONALE**



**POLYGONAL TOOLHOLDERS**  
**DIN ISO 26623-1**



MANDRINI  
ATTACCO POLIGONALE



WERKZEUGHALTER  
DIN ISO 26623-1



PORTAHERRAMIENTAS POLIGONALES  
DIN ISO 26623-1



PORTE-OUTILS  
ATTACHEMENT POLYAGONALE

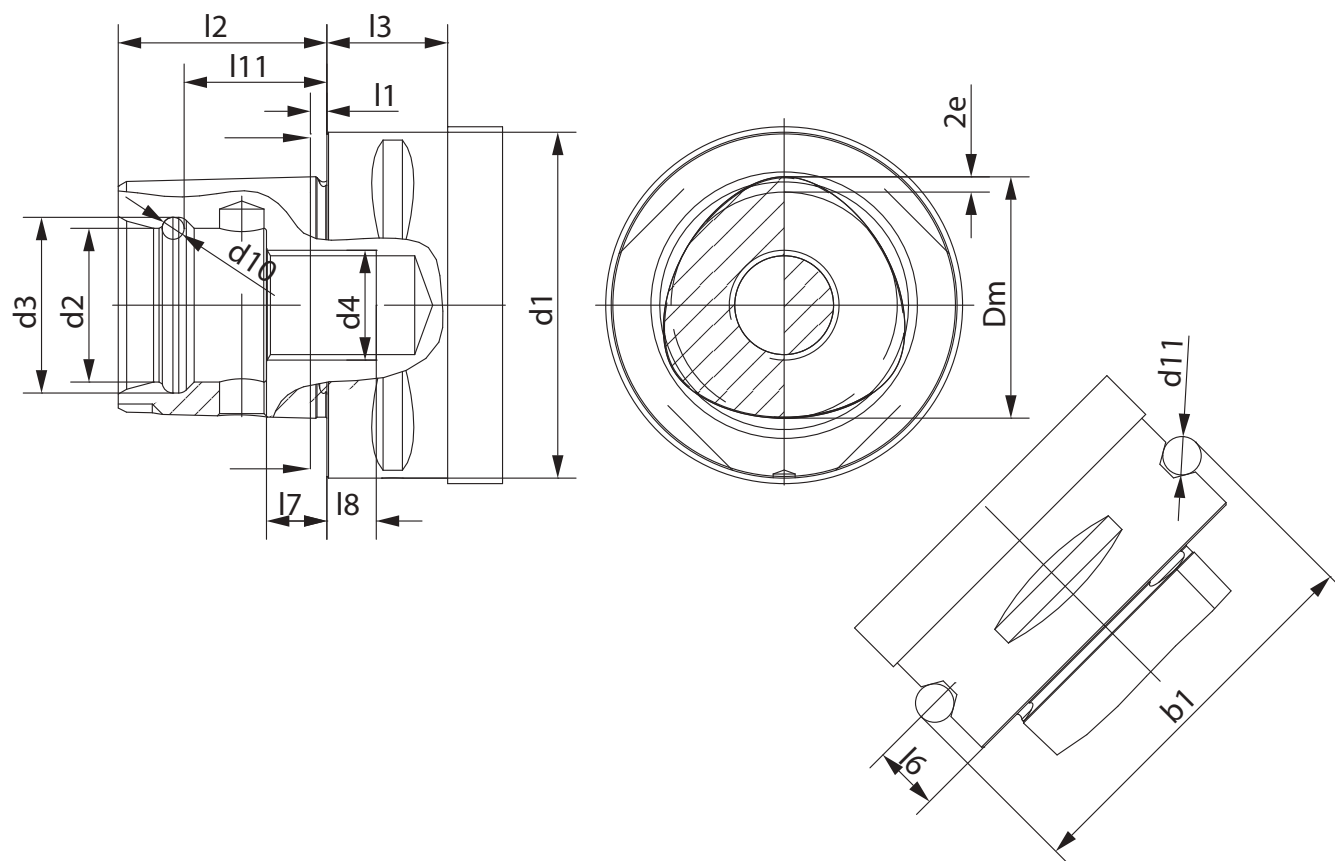


ОПРАВКИ С ПОЛИГОНАЛЬНЫМ  
ХВОСТОВИКОМ



多边形刀柄 DIN ISO 26623-1





	C32	C40	C50	C63	C80	C80X	C100
b1	39	46	59,3	70,7	86	110	110
d1	32	40	50	63	80	100	100
d2	15	18	21	28	32	32	43
d3	16,5	20	24	32	38	38	50,5
d4	M12x1,5	M14x1,5	M16x1,5	M20x2	M20x2	M20x2	M24x2
d10	1,5	2	3	4	6	6	7,5
d11	5	5	7	7	7	10	10
Dm	22	28	35	44	55	55	72
e	0,7	0,9	1,12	1,4	2	2	2,8
l1	2,5	2,5	3	3	3	3	3
l2	19	24	30	38	48	48	60
l3	15	20	20	22	30	32	36
l6	6	8	10	12	12	16	16
l7	6	9	10	11	20	20	20
l8	6	6	7	9	0	0	10
l11	13,5	17,5	22	26	34	34	42,5

POLYGONAL ER COLLET CHUCK

SPANNZANGENFUTTER MIT POLYGONSCHAFT

PORTAPINZE TIPO ER CON ATTACCO POLIGONALE

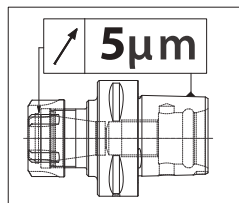
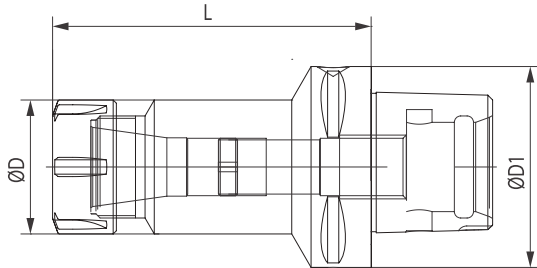
PORTAPINZAS ER CON SUJECION POLIGONAL

PORTE-PINCES AVEC ATTACHEMENT POLYAGONALE

ЦАНГОВЫЕ ПАТРОНЫ С ПОЛИГОНАЛЬНЫМ ХВОСТОВИКОМ

多边形 ER 筒夹

DIN ISO 26623-1



CODE N.	ATTACCO SHANK	PER PINZA FOR COLLET	D1 mm	D mm	L mm	G6,3 8000
C40H70ER16	C40	ER16	40	32	70	•
C40H52ER25	C40	ER25	40	42	52	•
C40H54ER32	C40	ER32	40	50	54	•
C50H60ER16	C50	ER16	50	32	60	•
C50H60ER20	C50	ER20	50	35	60	•
C50H60ER25	C50	ER25	50	42	60	•
C50H60ER32	C50	ER32	50	50	60	•
C50H65ER40	C50	ER40	50	63	65	•
C50H100ER16	C50	ER16	50	32	100	•
C50H100ER25	C50	ER25	50	42	100	•
C50H100ER32	C50	ER32	50	50	100	•
C63H60ER16	C63	ER16	63	32	60	•
C63H60ER20	C63	ER20	63	35	60	•
C63H60ER25	C63	ER 25	63	42	60	•
C63H60ER32	C63	ER 32	63	50	60	•
C63H70ER40	C63	ER40	63	63	70	•
C63H100ER16	C63	ER 16	63	32	100	•
C63H100ER20	C63	ER20	63	35	100	•
C63H100ER25	C63	ER 25	63	42	100	•
C63H100ER32	C63	ER 32	63	50	100	•
C63H130ER40	C63	ER 40	63	63	130	•
C80H70ER32	C80	ER32	80	50	70	•
C80H70ER40	C80	ER40	80	63	70	•

Spare parts • Componenti • Ersatzteile • Piezas de repuesto  
Pièces détachées • Запасные части • 零件

Accessories  
Accessori  
Zubehör  
Accesorios  
Accessoires  
Принадлежности  
零件



ER	NUT	STOP SCREW
16	812-203005	811-303119
20	812-203006	811-303120
25	812-203001	811-303121
32	812-203002	811-303118
40	812-203003	811-303122

COLLET CHUCK KITS

SPANNFUTTERSATZ

KIT PORTAPINZE

SET DE PORTAPINZAS

JEUX PORTE-PINCES

НАБОРЫ ОПРАВОК С ЦАНГАМИ

夹头变径套组套

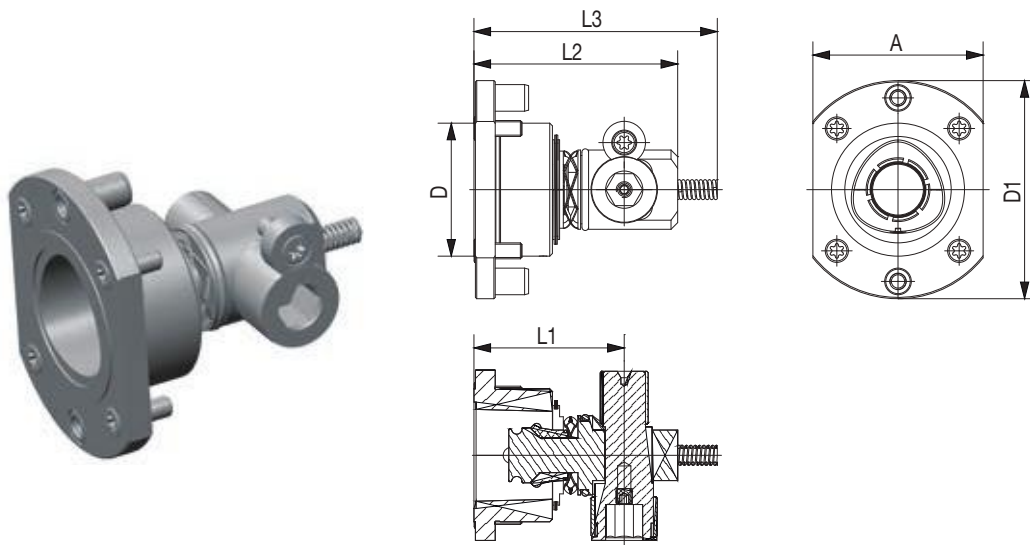
DIN ISO 26623-1

**Kit Box:** 1 Collet chuck + 10 Collets + Wrench  
**Cassetta corredo:** 1 Portapinze + 10 pinze + chiave  
**Ausstattungskasten:** 1 Spannzangenfutter + 10 Spannzangen + Spannschlüssel  
**Contenido del set:** 1 Cono Portapinzas + 10 Pinzas + Llave  
**Boite d'équipement:** 1 Porte-pince + 10 pinces + Clé de serrage  
**Набор:** из цангового патрона и цанг  
**套装:** 1 刀柄 + 10 夹头 + 1 扳手

CODE N.	DESCRIPTION
KITC50H60ER16	C50H60ER16+10 collets (ER16d.1-2-3-4-5-6-7-8-9-10) + wrench
KITC50H60ER25	C50H60ER25+10 collets (ER25d.2-3-4-5-6-8-10-12-14-16) + wrench
KITC50H60ER32	C50H60ER32+10 collets (ER32d.3-4-6-8-10-12-14-16-18-20) + wrench
KITC50H100ER16	C50H100ER16+10 collets (ER16d.1-2-3-4-5-6-7-8-9-10) + wrench
KITC50H100ER25	C50H100ER25+10 collets (ER25d.2-3-4-5-6-8-10-12-14-16) + wrench
KITC50H100ER32	C50H100ER32+10 collets (ER32d.3-4-6-8-10-12-14-16-18-20) + wrench
KITC63H60ER16	C63H60ER16+10 collets (ER16d.1-2-3-4-5-6-7-8-9-10) + wrench
KITC63H60ER25	C63H60ER25+10 collets (ER25d.2-3-4-5-6-8-10-12-14-16) + wrench
KITC63H60ER32	C63H60ER32+10 collets (ER32d.3-4-6-8-10-12-14-16-18-20) + wrench
KITC63H100ER16	C63H100ER16+10 collets (ER16d.1-2-3-4-5-6-7-8-9-10) + wrench
KITC63H100ER25	C63H100ER25+10 collets (ER25d.2-3-4-5-6-8-10-12-14-16) + wrench
KITC63H100ER32	C63H100ER32+10 collets (ER32d.3-4-6-8-10-12-14-16-18-20) + wrench

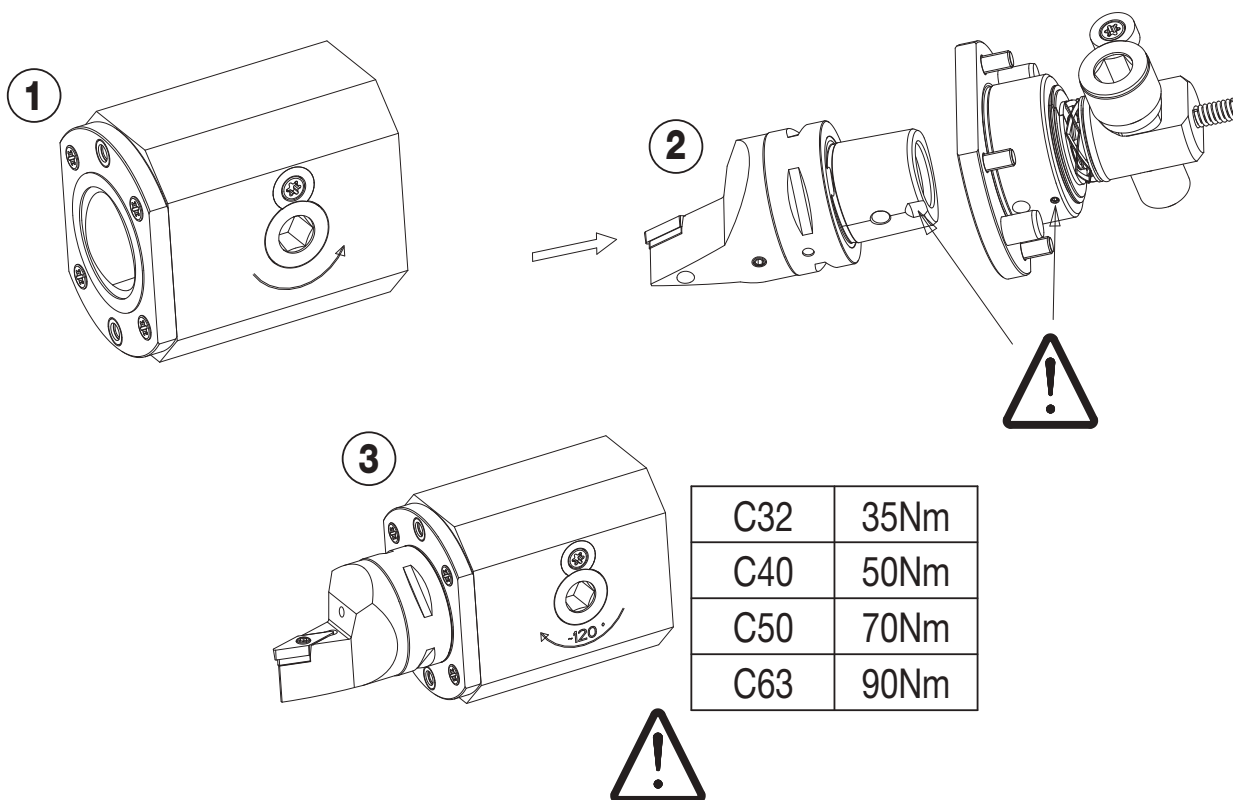


## FLANGE KIT - KIT FLANGIA



CODE N.	ATTACCO SHANK	D	D1	L1	-L2	L3	A
CXC32-10	C32	32	54	40.5	55	67	38
CXC40-10	C40	40	67	48.5	65	80	48
CXC50-10	C50	50	82	56.5	75	91.5	64
CXC63-10	C63	63	105	74	93	112.5	84

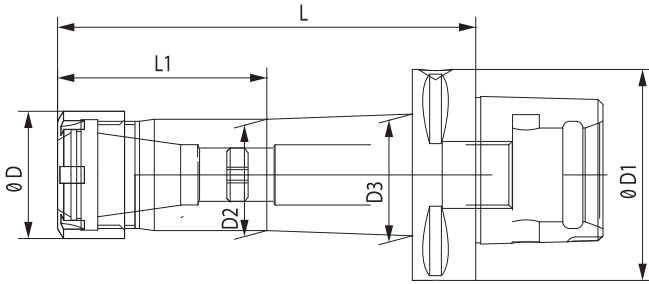
### INSTRUCTIONS TO CLAMP THE TOOLHOLDER TO THE MANUAL DRIVE (CAM) CLAMPING UNIT



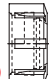

ER MINI COLLET CHUCK

SPANNZANGENFUTTER ER MINI MANDRINI PORTAPINZA TIPO ER MINI EXTRA SOTTILI  
 CONOS PORTAPINZAS TIPO ER MINI MANDRINS A PINCES TYPE ER MINI  
 ЦАНГОВЫЕ МИНИ-ПАТРОНЫ ER ER 迷你弹簧夹头

DIN 6499



Spare parts • Componenti • Ersatzteile • Piezas de repuesto  
 Pièces détachées • Запасные части • 零件

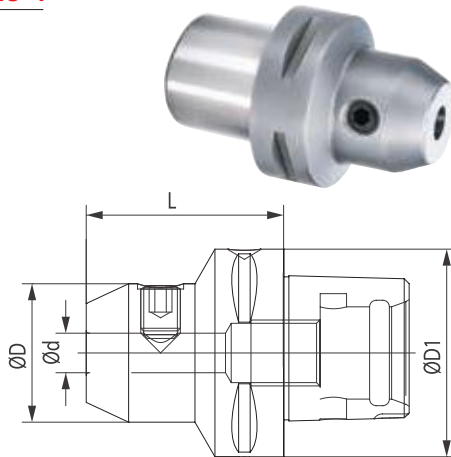
ER	NUT	STOP SCREW
		
11M	812-203012	811-303081
16M	812-203013	811-303119
20M	812-203014	811-303120
25M	812-203015	811-303121

CODE N.	ATTACCO SHANK	ER	D1	D	L	L1	D2	D3
C50H100ER11M	C50	11M	50	16	100	40	14	20
C50H100ER16M	C50	16M	50	22	100	42	20	25
C50H100ER20M	C50	20M	50	28	100	48	26	30
C50H100ER25M	C50	25M	50	35	100	-	33	-
C63H100ER11M	C63	11M	63	16	100	40	14	20
C63H100ER16M	C63	16M	63	22	100	42	20	25
C63H100ER20M	C63	20M	63	28	100	48	26	30
C63H100ER25M	C63	25M	63	35	100	-	33	-
C63H160ER11M	C63	11M	63	16	160	50	14	23
C63H160ER16M	C63	16M	63	22	160	97	20	26
C63H160ER20M	C63	20M	63	28	160	98	26	31
C63H160ER25M	C63	25M	63	35	160	103	33	35

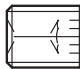
POLYGONAL END MILL HOLDER WELDON

WELDON SPANNFUTTER MIT POLYGONSCHAFT PORTAFRESE WELDON CON ATTACCO POLIGONALE  
 CONOS WELDON CON SUJECION POLIGONAL PORTE-FRAISES WELDON AVEC  
 ПАТРОНЫ EPS ДЛЯ КОНЦЕВЫХ ФРЕЗ ATTACHEMENT POLYGONALE  
 С ХВОСТОВИКОМ WELDON 多边形威尔登式铣刀柄

DIN ISO 26623-1



Spare parts • Componenti • Ersatzteile • Piezas de repuesto  
 Pièces détachées • Запасные части • 零件

d	LOCKING SCREW	QUANTITY
		
6	811-106001	1
8	811-106002	1
10	811-106004	1
12;14	811-106005	1
16;18	811-106006	1
20	811-106007	1
25	811-106008	2
32;40	811-106009	2

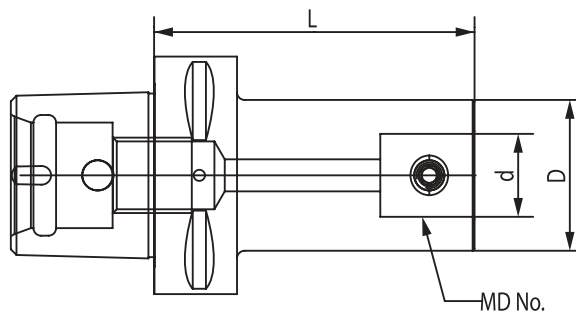
CODE N.	ATTACCO SHANK	D1 mm	D mm	d mm	L mm	G6,3 8000
C40H50WE06	C40	40	25	6	50	•
C40H50WE08	C40	40	28	8	50	•
C40H50WE10	C40	40	35	10	50	•
C40H55WE12	C40	40	42	12	55	•
C40H55WE16	C40	40	48	16	55	•
C50H55WE06	C50	50	25	6	55	•
C50H55WE08	C50	50	28	8	55	•
C50H65WE10	C50	50	35	10	65	•
C50H65WE12	C50	50	42	12	65	•
C50H65WE14	C50	50	42	14	65	•
C50H65WE16	C50	50	48	16	65	•
C50H65WE18	C50	50	48	18	65	•
C50H65WE20	C50	50	52	20	65	•
C50H80WE25	C50	50	65	25	80	•
C63H55WE06	C63	63	25	6	55	•
C63H55WE08	C63	63	28	8	55	•
C63H60WE10	C63	63	35	10	60	•
C63H60WE12	C63	63	42	12	60	•
C63H60WE14	C63	63	44	14	60	•
C63H65WE16	C63	63	48	16	65	•
C63H65WE20	C63	63	52	20	65	•
C63H80WE25	C63	63	64	25	80	•
C63H90WE32	C63	63	72	32	90	•
C80H70WE20	C80	80	50	20	70	•
C80H80WE25	C80	80	52	25	80	•
C80H80WE32	C80	80	72	32	80	•
C80H110WE40	C80	80	80	40	110	•

POLYGONAL ARBORS FOR BORING HEADS

GRUNDAUFNAHME FÜR BOHRKÖPFE MIT POLYGONSCHAFT  
 CONOS PARA CABEZALES DE MANDRINAR - SUJECION POLIGONAL  
 ОПРАВКИ ДЛЯ ПОЛИГОНАЛЬНЫХ ГОЛОВОК

ATTACCO BASE PER TESTINE DI ALESATURA – POLIGONALE  
 MANDRINS POUR TÊTE D'ALEPAGE AVEC ATTACHMENT POLYGONALE  
 多边形接口的镗头座

DIN ISO 26623-1



CODE N.	DESCRIPTION	POLIGONAL	MD No.	D	L	d	CONNECTION SCREW	Qt.
290-07601	C50H85MD2	50	2	24	85	14	811-402093	2
290-07602	C50H100MD2	50	2	24	100	14	811-402093	2
290-07603	C50H95MD3	50	3	31	95	18	811-402094	2
290-07604	C50H125MD3	50	3	31	125	18	811-402094	2
290-07605	C50H85MD4	50	4	40	85	22	811-402095	2
290-07606	C50H130MD4	50	4	40	130	22	811-402095	2
290-07607	C50H75MD5	50	5	50	75	28	811-402096	2
290-07608	C50H125MD5	50	5	50	125	28	811-402096	2
290-07609	C63H85MD2	63	2	24	85	14	811-402093	2
290-07610	C63H100MD2	63	2	24	100	14	811-402093	2
290-07611	C63H95MD3	63	3	31	95	18	811-402094	2
290-07612	C63H125MD3	63	3	31	125	18	811-402094	2
290-07613	C63H85MD4	63	4	40	85	22	811-402095	2
290-07614	C63H130MD4	63	4	40	130	22	811-402095	2
290-07615	C63H75MD5	63	5	50	75	28	811-402096	2
290-07616	C63H125MD5	63	5	50	125	28	811-402096	2

Accessories  
 Accessori  
 Zubehör  
 Accesorios  
 Accessoires  
 Принадлежности  
 零件



pag. 012



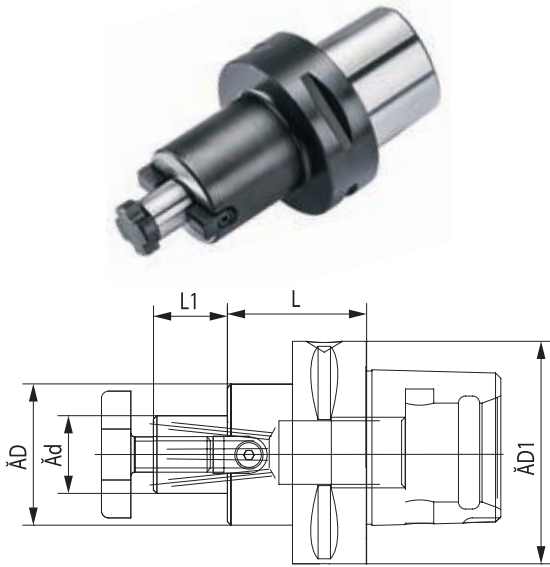
pag. 013



POLYGONAL FACE MILL HOLDER

AUFSTECKFRÄSDORNE MIT POLYGONSCHAFT PORTAFRESE A TRASCINAMENTO FISSO CON ATTACCO POLIGONALE  
 CONO PORTAFRESAS CON SUJECION POLIGONAL PORTE-FRAISES AVEC ATTACHEMENT POLYGONALE  
 ПАТРОНЫ С ПОЛИГОНАЛЬНЫМ ХВОСТОВИКОМ ДЛЯ НАСАДНЫХ ФРЕЗ 多边形端面铣刀柄

DIN ISO 26623-1



CODE N.	ATTACCO SHANK	D1 mm	D mm	d mm	L mm	L1 mm	G6,3 8000
C40H32D16	C40	40	32	16	32	17	•
C40H25D22	C40	40	40	22	25	19	•
C50H60D22	C50	50	48	22	60	19	•
C50H60D27	C50	50	58	27	60	21	•
C63H40D16	C63	63	32	16	40	17	•
C63H63D16	C63	63	38	16	63	17	•
C63H25D22	C63	63	55	22	25	19	•
C63H100D22	C63	63	48	22	100	19	•
C63H25D27	C63	63	63	27	25	21	•
C63H100D27	C63	63	58	27	100	21	•
C63H25D32	C63	63	63	32	25	24	•
C63H100D32	C63	63	63	32	100	24	•
C63H100D40	C63	63	70	40	100	27	•
C80H30D27	C80	80	65	27	30	21	•
C80H30D32	C80	80	79	32	30	24	•
C80H30D40	C80	80	80	40	30	27	•

d	CROSS SCREW	CROSS SCREW ON ENQUIRY	DOG A	SCREW A	DOG B	SCREW B
16	811-107003	811-107013	814-202280	811-101004	814-20214	811-101002
22	811-107004	811-107014	814-202250	811-101011	814-20215	811-101010
27	811-107005	811-107015	814-202270	811-101018	814-20216	811-101017
32	811-107006	811-107016	814-202630	811-101029	814-20217	811-101027
40	811-107007	811-107017	814-202710	811-101029	814-20218	811-101028

Spare parts • Componenti  
 Ersatzteile • Piezas de repuesto  
 Pièces détachées  
 Запасные части • 零件

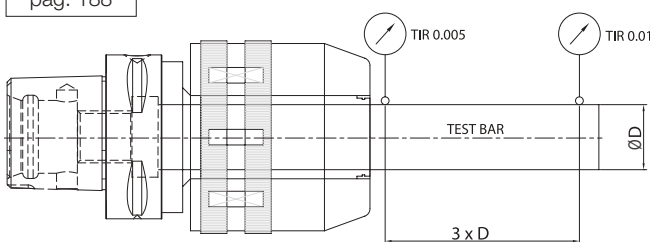
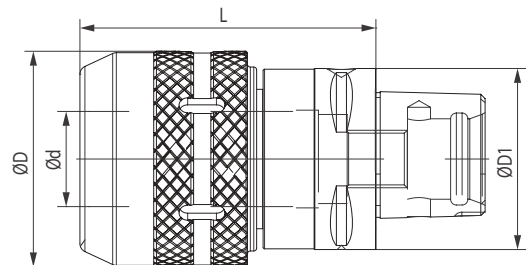
POLYGONAL MILLING CHUCK

KRAFTSPANNFUTTER MIT POLYGONSCHAFT MANDRINI FORTE SERRAGGIO CON ATTACCO POLIGONALE  
 CONOS PORTAPINZAS DE GRAN APRIETE MANDRINS A FORT SERRAGE AVEC ATTACHEMENT POLYGONALE  
 CON SUJECION POLIGONAL 多边形强力铣夹头  
 СИЛОВЫЕ ПАТРОНЫ

DIN ISO 26623-1



Accessories  
 Accessori  
 Zubehör  
 Accesorios  
 Accessoires  
 Принадлежности  
 零件



CODE N.	SHANK	D1	D	d	L	G6,3 8000
C50H75C20	C50	50	54	20	7	•
C63H80C20	C63	63	54	20	80	•
C63H100C32	C63	63	72	32	100	•

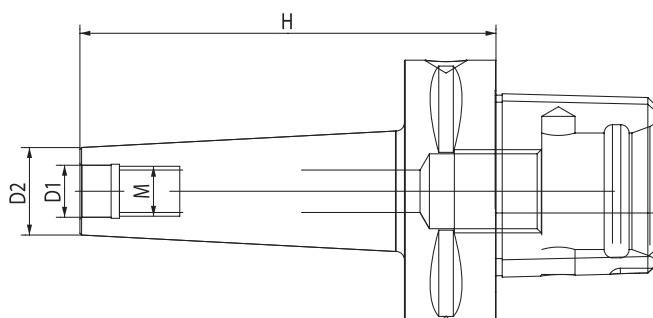
SUPPLIED WITH WRENCH • FORNITI CON CHIAVE INCLUSA • INKLUSIVE SPANNSCHLÜSSEL CLÉ INCLUSE  
 • SE SUMINISTRA CON LLAVE • ПОСТАВЛЯЕТСЯ С КЛЮЧОМ • 供货时提供扳手



MILLING CUTTER ARBORS FOR SCREW-ON TYPE MILLING CUTTERS

SPANFUTTER FÜR EINSCHRAUBFRÄSER MANDRINI PER FRESE CON ATTACCO FILETTATO  
 PORTAFRESAS CON EXTREMO ROSCADO MANDRINS POUR FRAISER A VISSER  
 ОПРАВКИ ДЛЯ ФРЕЗЕРНЫХ ГОЛОВOK 螺纹连接型铣刀的铣刀杆

DIN ISO 26623-1



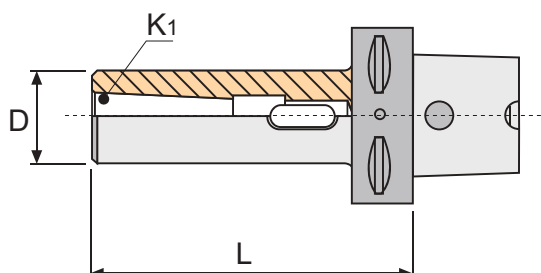
CODE N.	ATTACCO SHANK	M	D1	D2	H
C63H90M10	C63	M10	10.5	18	90
C63H100M12	C63	M12	12.5	21	100
C63H100M16	C63	M16	17	29	100

02

POLYGONAL MORSE TAPER ADAPTORS FOR DRILLS

ZWISCHENHÜLSEN FÜR MORSEKEGEL MIT AUSTREIBBLAPPEN ODER ANZUGSGEWINDE MANDRINI PORTAPUNTE ATTACCO CONO MORSE CON ATTACCO POLIGONALE  
 PORTABROCAS CONO MORSE CON SUJECION POLIGONAL DOUILLES POUR CONE MORSE A TENON ET AVEC TARAUDAGE  
 ОПРАВКИ ДЛЯ КОНУСОВ МОРСЕ С ЛАПКОЙ И С РЕЗЬБОЙ 莫氏锥度钻头接头

DIN ISO 26623-1

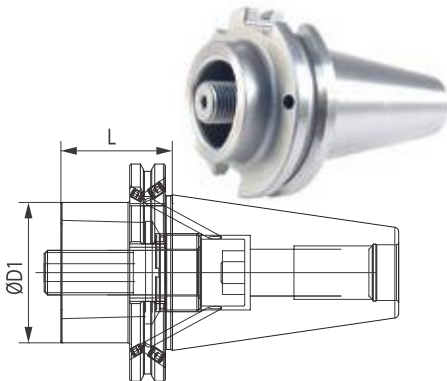


CODE N.	ATTACCO SHANK	D1 mm	A mm	L mm	G6,3 8000
C50H110CM2P	C50	32	MK2	110	•
C50H130CM3P	C50	40	MK3	130	•
C63H110CM2P	C63	32	MK2	110	•
C63H130CM3P	C63	40	MK3	130	•
C63H150CM4P	C63	52	MK4	150	•

REDUCTION ISO 40/50 DIN69871-AD/B – POLYGONAL SHANK

REDUKTION SK 40/50 DIN69871 MIT POLYGONSCHAFT RIDUZIONE ISO 40/50 DIN 69871-AD/B PER ATTACCO POLIGONALE  
 ADAPTADORES DE DOBLE CONTACTO ISO 40/50 DIN 69871-AD/B CON SALIDA A SUJECION POLIGONAL REDUCTION ISO 40/50 DIN69871 AVEC ATTACHEMENT POLYGONALE  
 ПЕРЕХОДНИКИ С ISO 40/50 DIN69871-AD/B НА EPS DIN69871-AD/B 多边形缩减柄

DIN ISO 26623-1 - **DIN 69871** - DOUBLE CONTACT

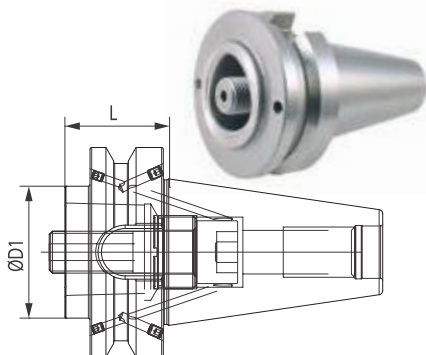


CODE N.	ATTACCO SHANK	D1 mm	L mm	SCREW COMP 2020-01	NUT COMP 2020-02	WRENCH COMP 2020-03
TC40H30C32DK	40DIN69871 AD/B	32	30	811-401173	811-302213	816-20214
TC40H40C40DK	40DIN69871 AD/B	40	40	811-401174	811-302214	816-20215
TC40H50C50DK	40DIN69871 AD/B	50	50	811-401176	811-302216	816-20216
TC40H85C63DK	40DIN69871 AD/B	63	85	811-401180	811-302220	816-20217
TC50H60C32DK	50DIN69871 AD/B	32	60	811-401173	811-302213	816-20214
TC50H30C40DK	50DIN69871 AD/B	40	30	811-401174	811-302214	816-20215
TC50H60C40DK	50DIN69871 AD/B	40	60	811-401174	811-302214	816-20215
TC50H30C50DK	50DIN69871 AD/B	50	30	811-401176	811-302216	816-20216
TC50H70C50DK	50DIN69871 AD/B	50	70	811-401176	811-302216	816-20216
TC50H50C63DK	50DIN69871 AD/B	63	50	811-401178	811-302218	816-20217
TC50H100C63DK	50DIN69871 AD/B	63	100	811-401178	811-302218	816-20217
TC50H70C80DK	50DIN69871 AD/B	80	70	811-401178	811-302218	816-20217
TC50H120C80DK	50DIN69871 AD/B	80	120	811-401178	811-302218	816-20217

REDUCTION BT40/50-AD/B – POLYGONAL SHANK

REDUKTION BT40/50-AD/B MIT POLYGONSCHAFT RIDUZIONE BT40/50-AD/B CON ATTACCO POLIGONALE  
 ADAPTADORES DE DOBLE CONTACTO BT 40/50-AD/B CON SALIDA A SUJECION POLIGONAL REDUCTION BT40/50-AD/B AVEC ATTACHEMENT POLYGONALE  
 ПЕРЕХОДНИКИ С BT40/50-AD/B НА DIN BT40/50-AD/B 多边形缩减柄

DIN ISO 26623-1 - **JIS-B 6339 MAS 403/BT** - DOUBLE CONTACT

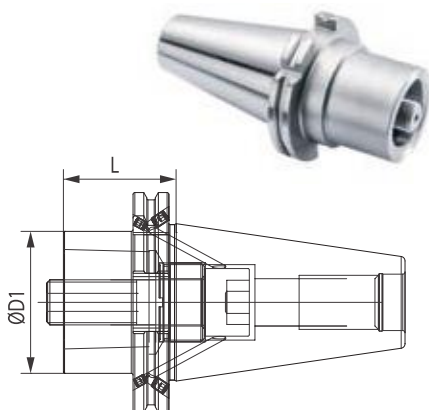


CODE N.	ATTACCO SHANK	D1 mm	L mm	SCREW COMP 2020-01	NUT COMP 2020-02	WRENCH COMP 2020-03
BT40H30C32DK	40MAS403/BT AD/B	32	30	811-401173	811-302213	816-20214
BT40H40C40DK	40MAS403/BT AD/B	40	40	811-401174	811-302214	816-20215
BT40H50C50DK	40MAS403/BT AD/B	50	50	811-401176	811-302216	816-20216
BT40H75C63DK	40MAS403/BT AD/B	63	75	811-401180	811-302220	816-20217
BT50H70C32DK	50MAS403/BT AD/B	32	70	811-401173	811-302213	816-20214
BT50H40C40DK	50MAS403/BT AD/B	40	40	811-401174	811-302214	816-20215
BT50H70C40DK	50MAS403/BT AD/B	40	70	811-401174	811-302214	816-20215
BT50H40C50DK	50MAS403/BT AD/B	50	40	811-401176	811-302216	816-20216
BT50H80C50DK	50MAS403/BT AD/B	50	80	811-401176	811-302216	816-20216
BT50H50C63DK	50MAS403/BT AD/B	63	50	811-401178	811-302218	816-20217
BT50H100C63DK	50MAS403/BT AD/B	63	100	811-401178	811-302218	816-20217
BT50H70C80DK	50MAS403/BT AD/B	80	70	811-401178	811-302218	816-20217
BT50H120C80DK	50MAS403/BT AD/B	80	120	811-401178	811-302218	816-20217

REDUCTION ISO 40/50 DIN69871-AD/B – POLYGONAL SHANK

REDUKTION SK 40/50 DIN69871 MIT POLYGONSCHAFT RIDUZIONE ISO 40/50 DIN 69871-AD/B PER ATTACCO POLIGONALE  
 ADAPTADOR ISO 40/50 DIN 69871-AD/B CON SALIDA A SUJECION POLIGONAL REDUCTION ISO 40/50 DIN69871 AVEC ATTACHEMENT POLYGONALE  
 ПЕРЕХОДНИКИ С ISO 40/50 DIN69871-AD/B НА EPS DIN69871-AD/B 多边形缩减柄

DIN ISO 26623-1 - **DIN 69871**

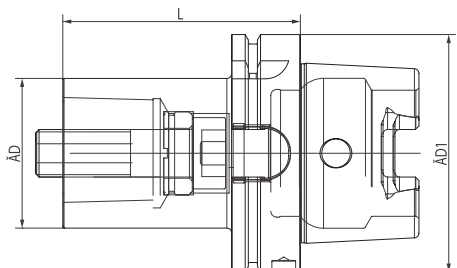


CODE N.	ATTACCO SHANK	D1 mm	L mm	SCREW COMP 2020-01	NUT COMP 2020-02	WRENCH COMP 2020-03
TC40H30C32ADB	40DIN69871 AD/B	32	30	811-401173	811-302213	816-20214
TC40H30C40ADB	40DIN69871 AD/B	40	30	811-401174	811-302214	816-20215
TC40H60C40ADB	40DIN69871 AD/B	40	60	811-401174	811-302214	816-20215
TC40H40C50ADB	40DIN69871 AD/B	50	40	811-401176	811-302216	816-20216
TC40H85C63ADB	40DIN69871 AD/B	63	85	811-401180	811-302220	816-20217
TC50H30C32ADB	50DIN69871 AD/B	32	30	811-401173	811-302213	816-20214
TC50H60C32ADB	50DIN69871 AD/B	32	60	811-401173	811-302213	816-20214
TC50H30C40ADB	50DIN69871 AD/B	40	30	811-401174	811-302214	816-20215
TC50H60C40ADB	50DIN69871 AD/B	40	60	811-401174	811-302214	816-20215
TC50H30C50ADB	50DIN69871 AD/B	50	30	811-401176	811-302216	816-20216
TC50H70C50ADB	50DIN69871 AD/B	50	70	811-401176	811-302216	816-20216
TC50H110C50ADB	50DIN69871 AD/B	50	110	811-401176	811-302216	816-20216
TC50H30C63ADB	50DIN69871 AD/B	63	30	811-401178	811-302218	816-20217
TC50H50C63ADB	50DIN69871 AD/B	63	50	811-401178	811-302218	816-20217
TC50H80C63ADB	50DIN69871 AD/B	63	80	811-401178	811-302218	816-20217
TC50H70C80ADB	50DIN69871 AD/B	80	70	811-401178	811-302218	816-20217
TC50H120C80ADB	50DIN69871 AD/B	80	120	811-401178	811-302218	816-20217

REDUCTION HSK POLYGONAL SHANK

REDUKTION HSK MIT POLYGONSCHAFT RIDUZIONE HSK PER ATTACCO POLIGONALE  
 ADAPTADOR HSK CON SALIDA A SUJECION POLIGONAL REDUCTION HSK AVEC ATTACHEMENT POLYGONALE  
 ПЕРЕХОДНИКИ HSK НА EPS HSK 多边形缩减柄

DIN ISO 26623-1 - DIN 69893/A

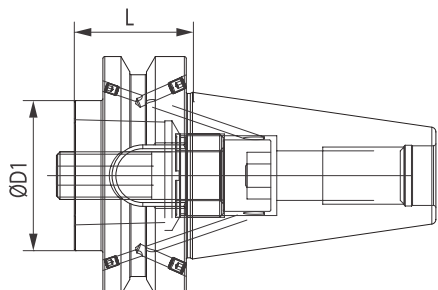


CODE N.	ATTACCO SHANK	D mm	D1 mm	L mm
HSK63AH80C40	DIN69893 HSK63	40	63	80
HSK63AH90C50	DIN69893 HSK63	50	63	90
HSK63AH110C63	DIN69893 HSK63	63	63	110
HSK100AH90C40	DIN69893 HSK100	40	100	90
HSK100AH100C50	DIN69893 HSK100	50	100	100
HSK100AH90C63	DIN69893 HSK100	63	100	90
HSK100AH150C63	DIN69893 HSK100	63	100	150
HSK100AH120C80	DIN69893 HSK100	80	100	120

REDUCTION BT40/50-AD/B – POLYGONAL SHANK

REDUKTION BT40/50-AD/B MIT POLYGONSCHAFT RIDUZIONE BT40/50-AD/B CON ATTACCO POLIGONALE  
 ADAPTADOR BT40/50-AD/B CON SALIDA A SUJECION POLIGONAL REDUCTION BT40/50-AD/B AVEC ATTACHEMENT POLYGONALE  
 ПЕРЕХОДНИКИ С BT40/50-AD/B НА DIN BT40/50-AD/B 多边形缩减柄

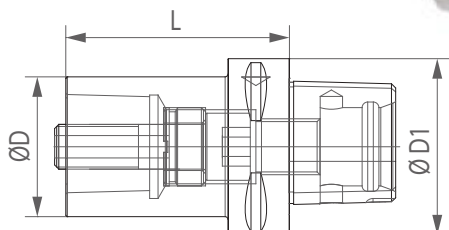
DIN ISO 26623-1 - JIS-B 6339 MAS 403/BT



CODE N.	ATTACCO SHANK	D1 mm	L mm
BT40H30C32ADB	40MAS403BT AD/B	32	30
BT40H30C40ADB	40MAS403BT AD/B	40	30
BT40H50C50ADB	40MAS403BT AD/B	50	50
BT40H90C50ADB	40MAS403BT AD/B	50	90
BT40H75C63ADB	40MAS403BT AD/B	63	75
BT50H40C32ADB	50MAS403BT AD/B	32	40
BT50H40C40ADB	50MAS403BT AD/B	40	40
BT50H70C40ADB	50MAS403BT AD/B	40	70
BT50H40C50ADB	50MAS403BT AD/B	50	40
BT50H80C50ADB	50MAS403BT AD/B	50	80
BT50H50C63ADB	50MAS403BT AD/B	63	50
BT50H90C63ADB	50MAS403BT AD/B	63	90
BT50H70C80ADB	50MAS403BT AD/B	80	70
BT50H120C80ADB	50MAS403BT AD/B	80	120

POLYGONAL REDUCTION

POLYGONSCHAFT-REDUKTION RIDUZIONE CON ATTACCO POLIGONALE  
 ADAPTADOR POLIGONAL CON SALIDA A SUJECION POLIGONAL REDUCTION AVEC ATTACHEMENT POLYGONALE  
 ПЕРЕХОДНИКИ 缩小 多边形柄



CODE N.	ATTACCO SHANK	D1	D	L
C40H55C32	C40	40	32	55
C50H65C40	C50	50	40	65
C50H85C40	C50	50	40	85
C63H80C40	C63	63	40	80
C63H80C50	C63	63	50	80
C80H120C50	C80	80	50	120
C80H80C63	C80	80	63	80

POLYGONAL EXTENSION

POLYGONSCHAFT-VERLÄNGERUNG

PROLUNGA CON ATTACCO POLIGONALE

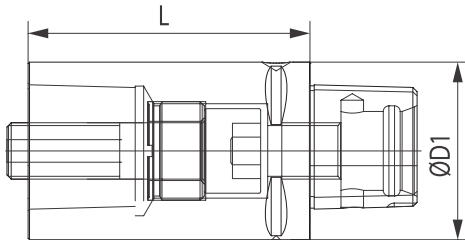
EXTENSION PARA SISTEMA POLIGONAL

RALLONGES AVEC ATTACHEMENT POLYGONALE

УДЛИНИТЕЛИ С ПОЛИГОНАЛЬНЫМ ХВОСТОВИКОМ

多边形延长杆

DIN ISO 26623-1

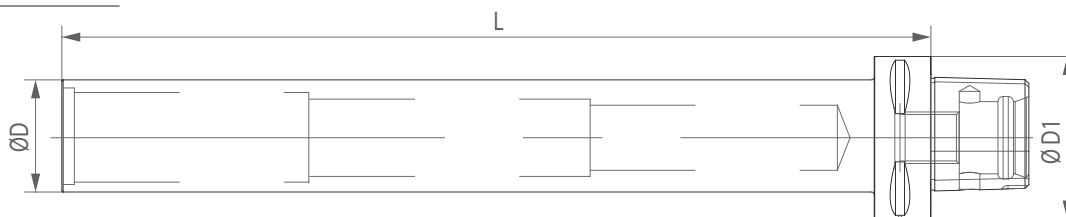


CODE N.	ATTACCO SHANK	D1 mm	L mm
C32H60C32	C32	32	60
C40H40C40	C40	40	40
C40H60C40	C40	40	60
C40H80C40	C40	40	80
C50H50C50	C50	50	50
C50H80C50	C50	50	80
C50H100C50	C50	50	100
C63H60C63	C63	63	60
C63H100C63	C63	63	100
C63H140C63	C63	63	140
C80H65C80	C80	80	65
C80H100C80	C80	80	100
C80H125C80	C80	80	125



CONTROL PINS  
 PRÜFDORNE BARRE DI CONTROLLO  
 BARRA DE CONTROL BARRES DE CONTROLLE  
 КОНТРОЛЬНЫЕ ЦИЛИНДРЫ 测试棒

DIN ISO 26623-1



CODE N.	ATTACCO SHANK	D1	D	L
C40H180D25BC	C40	40	25	180
C40H300D35BC	C40	40	35	300
C50H300D40BC	C50	50	40	300
C63H160D35BC	C63	63	35	160
C63H180D40BC	C63	63	40	180
C63H346D40BC	C63	63	40	346
C80H175D38BC	C80	80	38	175
C80H346D40BC	C80	80	40	346



POLYGONAL TAPPING HEAD

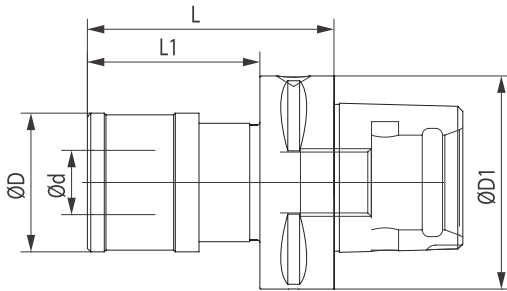
GEWINDESCHNEIDFUTTER MIT POLYGONSCHAFT  
 ROSCADOR DE CAMBIO RAPIDO CON SUJECION POLIGONAL  
 РЕЗЬБОНАРЕЗНЫЕ ПАТРОНЫ DIN ДЛЯ МЕТЧИКОВ

MASCHIATORE A CAMBIO RAPIDO CON ATTACCO POLIGONALE  
 MANDRIN DE TARAUDAGE AVEC ATTACHEMENT POLYGONALE  
 多边形快换攻丝头

DIN ISO 26623-1



CODE N.	ATTACCO SHANK	D1 mm	D mm	d mm	L mm	L1 mm	TOP RANGE
C40GR1	C40	40	41	19	68	48	M3-M12
C40GR2	C40	40	60	31	91,5	68	M6-M20
C63GR1	C63	63	41	19	73	51	M3-M12
C63GR2	C63	63	60	31	97	75	M6-M20
C80GR1	C80	80	41	19	75	45	M3-M12
C80GR2	C80	80	60	31	93,5	63,5	M6-M20
C80GR3	C80	80	86	48	137	107	M14-M33



Accessories  
 Accessori  
 Zubehör  
 Accesorios  
 Accessoires  
 Принадлежности  
 零件



AXIAL BORING BAR HOLDER

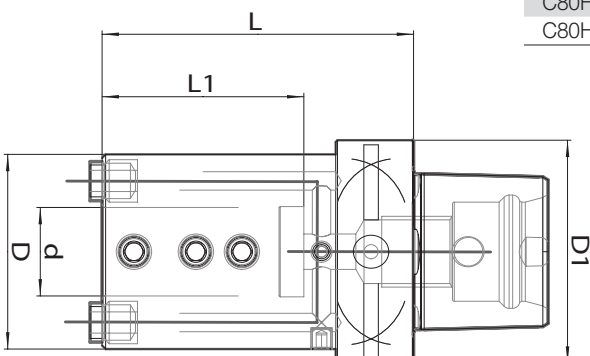
AXIAL BOHRSTANGENHALTER  
 PORTAHERRAMIENTAS PARA BARRAS, AXIALES  
 ДЕРЖАТЕЛИ ОСЕВЫЕ ДЛЯ РАСТОЧНЫХ РЕЗЦОВ

PORTAUTENSILE PER BARENI, ASSIALE  
 PORTE-OUTIL POUR BARRES D'ALEPAGE AXIAL  
 轴向镗杆刀柄

DIN ISO 26623-1



CODE N.	ATTACCO SHANK	D	D1	d	L	L1	COOLANT NOOSE
C40H60D08E2	C40	32	40	8	60	37	PWZ1008D8X06
C40H65D10E2	C40	36	40	10	65	40	PWZ1008D8X06
C40H65D12E2	C40	36	40	12	65	40	PWZ1008D8X06
C40H70D16E2	C40	40	40	16	70	42	PWZ1008D8X06
C40H70D20E2	C40	45	40	20	70	42	PWZ1008D8X06
C50H70D08E2	C50	32	50	8	70	37	PWZ1008D10X7
C50H70D10E2	C50	30	50	10	70	40	PWZ1008D10X7
C50H70D12E2	C50	40	50	12	70	40	PWZ1008D10X7
C50H80D16E2	C50	45	50	16	80	50	PWZ1008D10X7
C50H80D20E2	C50	50	50	20	80	50	PWZ1008D10X7
C50H80D25E2	C50	55	50	25	80	50	PWZ1008D10X7
C63H80D10E2	C63	36	63	10	80	45	PWZ1008D10X7
C63H80D12E2	C63	40	63	12	80	45	PWZ1008D10X7
C63H80D16E2	C63	45	63	16	80	50	PWZ1008D10X7
C63H80D20E2	C63	50	63	20	80	50	PWZ1008D10X7
C63H80D25E2	C63	55	63	25	88	57	PWZ1008D10X7
C63H95D32E2	C63	72	63	32	95	59	PWZ1008D12X8
C63H105D40E2	C63	80	63	40	105	72	PWZ1008D12X8
C80H85D20E2	C80	50	80	20	85	48	PWZ1008D10X7
C80H85D25E2	C80	55	80	25	85	48	PWZ1008D10X7
C80H95D32E2	C80	72	80	32	95	58	PWZ1008D12X8
C80H110D40E2	C80	80	80	40	110	73	PWZ1008D12X8



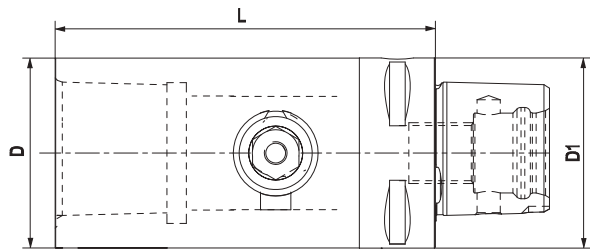
Accessories  
 Accessori  
 Zubehör  
 Accesorios  
 Accessoires  
 Принадлежности  
 零件



EXTENSION ADAPTOR WITH QUICK CHANGE POLYGONAL SHANK ACCORDING

VERLÄNGERUNG MIT SCHNELLWECHSEL POLYGONSCHAFT AUFNAHME  
ADAPTADOR DE EXTENSIÓN CON CAMBIO RÁPIDO  
БЫСТРОСМЕННЫЙ УДЛИНИТЕЛЬ  
С ПОЛИГОНАЛЬНЫМ ХВОСТОВИКОМ

ADATTATORE DI ESTENSIONE CON CAMBIO RAPIDO  
ADAPTATEUR D'ALLONGE À CHANGEMENT RAPIDE  
ATTACHEMENT POLYGONAL  
带快换式多边形柄的延长转换器

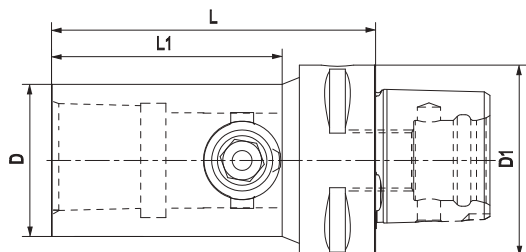


CODE N.	ATTACCO SHANK	TOOLSIDE	D1	D	L	MAX. Rpm
C40H85C40-CR	C40	C40	40	40	85	39000
C50H100C50-CR	C50	C50	50	50	100	28000
C63H115C63-CR	C63	C63	63	63	115	20000
C80H145C80-CR	C80	C80	80	80	145	14000

REDUCTION ADAPTOR WITH QUICK CHANGE POLYGONAL SHANK ACCORDING

REDUZIERUNG MIT SCHNELLWECHSEL POLYGONSCHAFT AUFNAHME  
ADAPTADOR DE REDUCCIÓN CON CAMBIO RÁPIDO  
MANGO POLYGONAL CONFORME  
ПЕРЕХОДНЫЙ БЫСТРОСМЕННЫЙ АДАПТОР С  
ПОЛИГОНАЛЬНЫМ ХВОСТОВИКОМ

ADATTATORE DI RIDUZIONE  
CON CAMBIO RAPIDO ATTACCO POLIGONALE  
ADAPTATEUR DE RÉDUCTION  
À CHANGEMENT RAPIDE ATTACHEMENT POLYGONAL  
带快换式多边形柄的缩减转换器

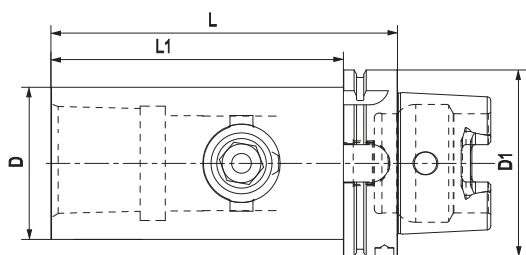


CODE N.	ATTACCO SHANK	TOOLSIDE	D1	D	L	L1	MAX. Rpm
C50H85C40-CR	C50	C40	50	40	85	60,5	28000
C63H100C50-CR	C63	C50	63	50	100	73	20000
C80H120C63-CR	C80	C63	80	63	120	84,5	14000

ADAPTOR WITH QUICK CHANGE HSK DIN69893 POLYGONAL SHANK ACCORDING

ADAPTER MIT SCHNELLWECHSEL HSK DIN69893 POLYGONSCHAFT AUFNAHME  
ADAPTADOR CON CAMBIO RÁPIDO HSK DIN69893  
MANGO POLYGONAL CONFORME  
БЫСТРОСМЕННЫЙ АДАПТОР С ПОЛИГОНАЛЬНЫМ  
ХВОСТОВИКОМ С КРЕПЛЕНИЕМ НА HSK

ADATTATORE CON CAMBIO RAPIDO HSK DIN69893  
ATTACCO POLIGONALE  
ADAPTATEUR À CHANGEMENT RAPIDE HSK DIN69893  
ATTACHEMENT POLYGONAL  
带快换式HSK-多边形转换器

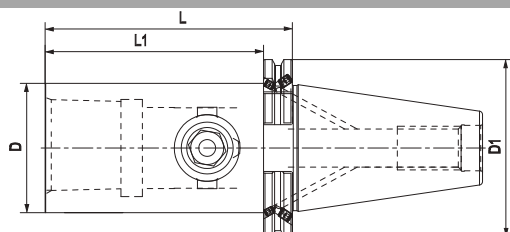


CODE N.	ATTACCO SHANK	TOOLSIDE	D1	D	L	L1	MAX. Rpm
H63AH115C50-CR	H63A	C50	63	50	115	88	20500
H100AH135C63-CR	H100A	C63	100	63	135	105	12500
H100AH165C80-CR	H100A	C80	100	80	165	135	12500

ADAPTOR WITH QUICK CHANGE DOUBLE CONTACT ISO DIN69871 AD/B POLYGONAL SHANK

ADAPTER MIT SCHNELLWECHSEL DOPPELCONTACT  
ISO DIN69871 AD/B POLYGONSCHAFT  
ADAPTADOR CON CAMBIO RÁPIDO DOBLE CONTACTO  
ISO DIN69871 AD/B MANGO  
БЫСТРОСМЕННЫЙ АДАПТОР С ПОЛИГОНАЛЬНЫМ ХВОСТОВИКОМ  
С КРЕПЛЕНИЕМ НА КОНУС ПО ISO DIN69871 AD/B DOUBLE CONTACT

ADATTATORE CON CAMBIO RAPIDO DOPPIO  
CONTATTO ISO DIN69871 AD/B  
ADAPTATEUR À CHANGEMENT RAPIDE DOUBLE  
CONTACT ISO DIN69871 AD/B  
带快换式双面接触DIN69871-多边形的转换器



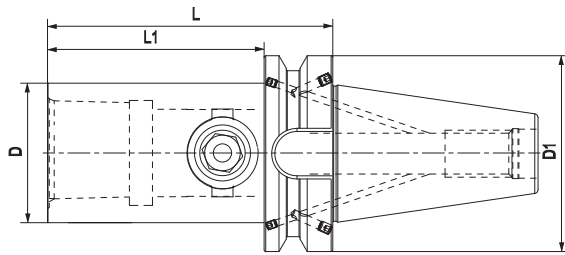
**DOUBLE CONTACT**

CODE N.	ATTACCO SHANK	TOOLSIDE	D1	D	L	L1
TC50H115C63DK-CR	50DIN69871 AD/B	C63	97,4	63	115	95

ADAPTOR WITH QUICK CHANGE DOUBLE CONTACT MAS403BT AD/B POLYGONAL SHANK

ADAPTER MIT SCHNELLWECHSEL DOPPELKONTAKT MAS403BT AD/B POLYGONSCHAFT ADATTATORE CON CAMBIO RAPIDO DOPPIO CONTATTO MAS403BT AD/B

ADAPTADOR CON CAMBIO RÁPIDO DOBLE CONTACTO MAS403BT AD/B MANGO ADAPTATEUR À CHANGEMENT RAPIDE DOUBLE CONTACT MAS403BT AD/B ATTACHEMENT  
 БЫСТРОСМЕННЫЙ АДАПТОР С ПОЛИГОНАЛЬНЫМ ХВОСТОВИКОМ С КРЕПЛЕНИЕМ НА КОНУС MAS403BT AD/B DOUBLE CONTACT 帶快換式雙面接觸BT-多邊形轉換器



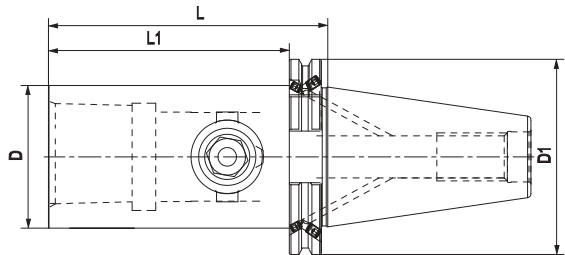
DOUBLE CONTACT

CODE N.	ATTACCO SHANK	TOOLSIDE	D1	D	L	L1
BT50H135C63DK-CR	50MAS403BT AD/B	C63	100	63	135	96

ADAPTOR WITH QUICK CHANGE ISO DIN69871 AD/B POLYGONAL SHANK ACCORDING

ADAPTER MIT SCHNELLWECHSEL ISO DIN69871 AD/B POLYGONSCHAFT AUFNAHME ADATTATORE CON CAMBIO RAPIDO ISO DIN69871 AD/B

ADAPTADOR CON CAMBIO RÁPIDO MAS403BT AD/B MANGO POLYGONAL ADAPTATEUR À CHANGEMENT RAPIDE MAS403BT AD/B  
 БЫСТРОСМЕННЫЙ АДАПТОР С ПОЛИГОНАЛЬНЫМ ХВОСТОВИКОМ С КРЕПЛЕНИЕМ НА КОНУС ПО ISO DIN69871 AD/B ATTACHEMENT POLYGONAL 帶快換式DIN69871-多邊形轉換器

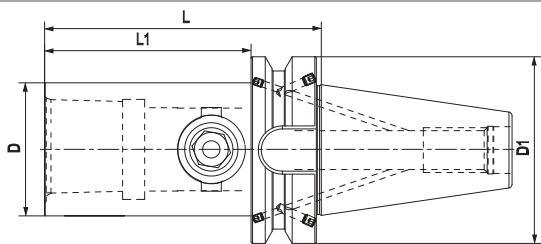


CODE N.	ATTACCO SHANK	TOOLSIDE	D1	D	L	L1
TC50H95C50-CR	50DIN69871 AD/B	C50	97,4	50	95	75
TC50H115C63-CR	50DIN69871 AD/B	C63	97,4	63	115	95
TC50H135C80-CR	50DIN69871 AD/B	C80	97,4	80	135	115

ADAPTOR WITH QUICK CHANGE MAS403BT AD/B

ADAPTER MIT SCHNELLWECHSEL MAS403BT AD/B ADATTATORE CON CAMBIO RAPIDO MAS403BT AD/B

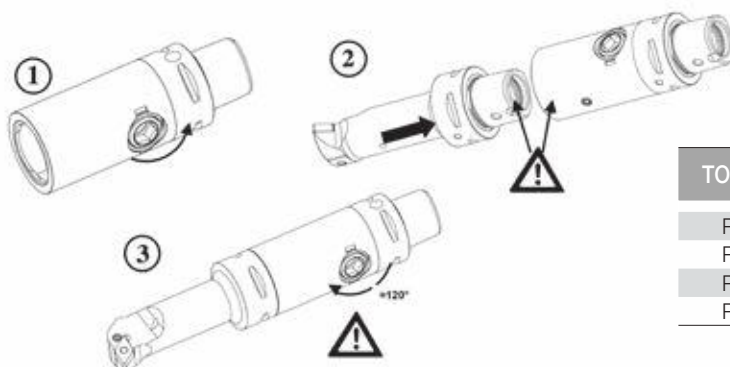
ADAPTADOR CON CAMBIO RÁPIDO MAS403BT AD/B MANGO ADAPTATEUR À CHANGEMENT RAPIDE MAS403BT  
 БЫСТРОСМЕННЫЙ АДАПТОР С ПОЛИГОНАЛЬНЫМ ХВОСТОВИКОМ С КРЕПЛЕНИЕМ НА КОНУС MAS403BT AD/B MAS403BT 帶快換式雙面接觸BT-多邊形轉換器



CODE N.	ATTACCO SHANK	TOOLSIDE	D1	D	L	L1
BT50H115C50-CR	50MAS403BT AD/B	C50	100	50	115	76
BT50H135C63-CR	50MAS403BT AD/B	C63	100	63	135	96
BT50H150C80-CR	50MAS403BT AD/B	C80	100	80	150	111

ISTRUZIONI PER FISSAGGIO PORTAUTENSILE SU ADATTATORI A CAMBIO RAPIDO CON ATTACCO POLIGONALE SECONDO LA NORMA ISO 26623

INSTRUCTIONS



TOOLSIDE	TORQUE (Nm)
PSC40	50Nm
PSC50	70Nm
PSC63	90Nm
PSC80	130Nm

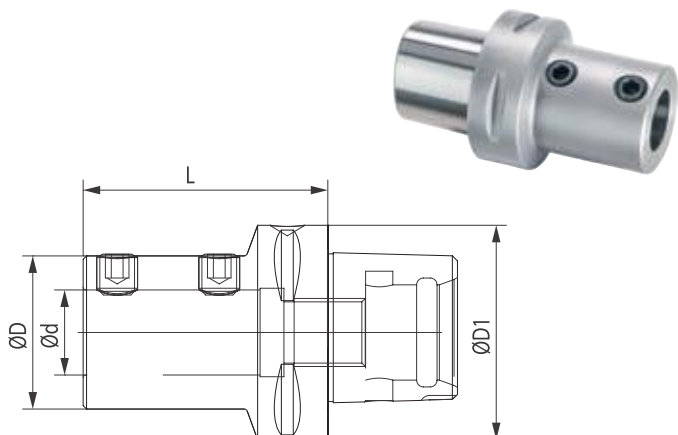


POLYGONAL BORING BAR ADAPTER

REDUZIERHÜLSEN MIT POLYGONSCHAFT  
PORTAS PARA BROCAS CON SUJECION POLIGONAL  
ПАТРОНЫ DIN ДЛЯ РАСТОЧНЫХ ДЕРЖАВОК

ADATTATORE PER PUNTE CON ATTACCO POLIGONALE  
DOUILLES AVEC ATTACHEMENT POLYGONALE  
多边形镗孔适配器

DIN ISO 26623-1



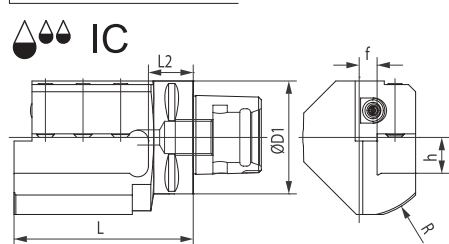
CODE N.	ATTACCO SHANK	D mm	D1 mm	d mm	L mm
C50H52D08PNT	C50	44	50	8	52
C50H52D10PNT	C50	44	50	10	52
C50H52D12PNT	C50	44	50	12	52
C50H65D16PNT	C50	44	50	16	65
C50H60D20PNT	C50	44	50	20	60
C50H70D25PNT	C50	44	50	25	70
C63H60D08PNT	C63	44	63	8	60
C63H60D10PNT	C63	44	63	10	60
C63H60D12PNT	C63	44	63	12	60
C63H70D16PNT	C63	36	63	16	70
C63H70D20PNT	C63	40	63	20	70
C63H72D25PNT	C63	45	63	25	72
C63H75D32PNT	C63	52	63	32	75
C63H85D40PNT	C63	63	63	40	85
C80H85D25PNT	C80	45	80	25	85
C80H90D32PNT	C80	52	80	32	90

90° POLYGONAL TOOLHOLDER

90° DREHHALTER MIT POLYGONSCHAFT  
PORTAHERRAMIENTA 90° CON SUJECION POLIGONAL  
ПАТРОНЫ DIN ДЛЯ ДЕРЖАВОК ДЛЯ НАРУЖНОГО ТОЧЕНИЯ 90 ГРАДУСОВ

PORTAUTENSILE 90° CON ATTACCO POLIGONALE  
PORTE-OUTIL 90° AVEC ATTACHEMENT POLYGONALE  
90° 多边形刀柄

DIN ISO 26623-1



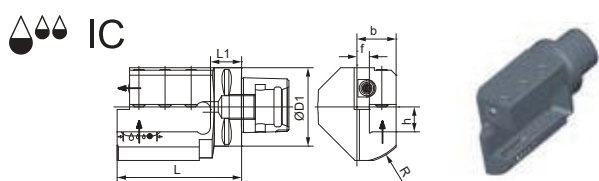
CODE N.	ATTACCO SHANK	D1 mm	L mm	h mm
C50-AD2020R/L	C50	50	98	20
C63-AD2020R/L	C63	63	100	20
C63-AD2525R/L	C63	63	130	25
C63-AD3232R/L	C63	63	134	32

90° POLYGONAL TOOLHOLDER

90° DREHHALTER MIT POLYGONSCHAFT  
PORTAHERRAMIENTA 90° CON SUJECION POLIGONAL  
ПАТРОНЫ DIN ДЛЯ ДЕРЖАВОК ДЛЯ НАРУЖНОГО ТОЧЕНИЯ 90 ГРАДУСОВ

PORTAUTENSILE 90° CON ATTACCO POLIGONALE  
PORTE-OUTIL 90° AVEC ATTACHEMENT POLYGONALE  
90° 多边形刀柄

DIN ISO 26623-1 - C50/C63



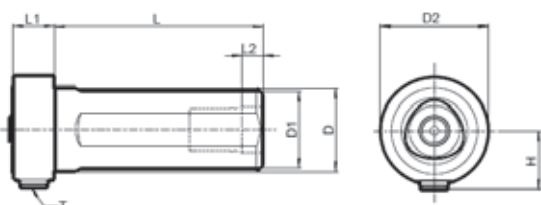
CODE N.	SHANK	D1	L	L1	b	R	f	h
C50-AD2020R/L-IC	C50	50	98	22	26	39	6	20
C63-AD2020R/L-IC	C63	63	100	24	32	41,5	12	20
C63-AD2525R/L-IC	C63	63	130	28	35	49	10	25
C63-AD3232R/L-IC	C63	63	134	28	39	59	7	32

TOOLHOLDER WITH CYLINDRICAL SHANK AND WITH POLYGONAL ATTACHMENT

WERKZEUGHALTER MIT ZYLINDRISCHEM SCHAFT  
UND MIT POLYGONSCHAFT KUPPLUNG  
PORTAHERRAMIENTA CON MANGO CILINDRICO Y CON SUJECION POLIGONAL  
ДЕРЖАТЕЛИ С ЦИЛИНДРИЧЕСКИМ ХВОСТОВИКОМ  
ДЛЯ ИНСТРУМЕНТА С ХВОСТОВИКОМ HSK

PORTAUTENSILE A STELO CILINDRICO CON ATTACCO POLIGONALE  
PORTE-OUTIL AVEC QUEUE CYLINDRIQUE  
ET AVEC ATTACHEMENT POLYGONALE  
带多边形接口的圆柱杆刀柄

DIN ISO 26623-1

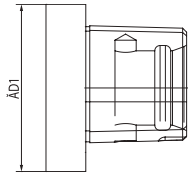


CODE N.	ATTACCO SHANK	L	L1	L2	D	D1	H	T
D40L100C40	C40	100	20	10	40	37	28	1/8 G
D50L120C50	C50	120	24	20	50	47	33	1/8 G

BLANKING PLUG

VERSCHLUBDECKEL TAPPO DI PROTEZIONE  
 TAPON DE PROTECCION BOUCHON DE PROTECTION  
 ЗАГЛУШКИ 切断栓

DIN ISO 26623-1



CODE N.	D1
C40-TP	40
C50-TP	50
C63-TP	63

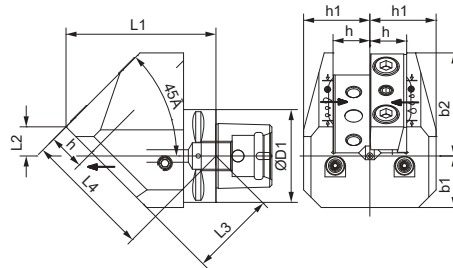
45° POLYGONAL TOOLHOLDER

45° DRENHALTER MIT POLYGONSCHAFT PORTAUTENSILE 45° CON ATTACCO POLIGONALE  
 PORTAHERRAMIENTA 45° CON SUJECION POLIGONAL PORTE-OUTIL 45° AVEC ATTACHEMENT POLYGONALE  
 ПАТРОНЫ DIN ДЛЯ ДЕРЖАВОК ДЛЯ НАРУЖНОГО ТОЧЕНИЯ 45 ГРАДУСОВ 45°多边形刀柄

DIN ISO 26623-1



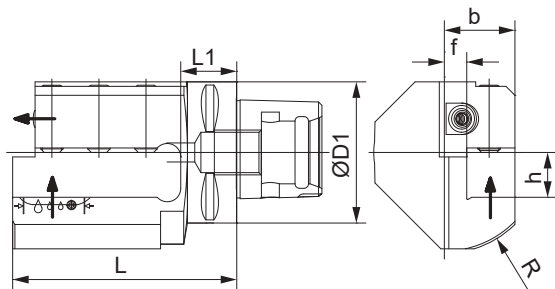
CODE N.	ATTACCO SHANK	D1 mm	b1 mm	b2 mm	h mm	h1 mm	L1 mm	L2 mm	L3 mm	L4 mm
C63-ARD2525-45	C63	63	35	70	25	45	102	20	58	86



45° POLYGONAL TOOLHOLDER

45° DRENHALTER MIT POLYGONSCHAFT PORTAUTENSILE 45° CON ATTACCO POLIGONALE  
 PORTAHERRAMIENTA 45° CON SUJECION POLIGONAL PORTE-OUTIL 45° AVEC ATTACHEMENT POLYGONALE  
 ПАТРОНЫ DIN ДЛЯ ДЕРЖАВОК ДЛЯ НАРУЖНОГО ТОЧЕНИЯ 45 ГРАДУСОВ 45°多边形刀柄

DIN ISO 26623-1 - C63

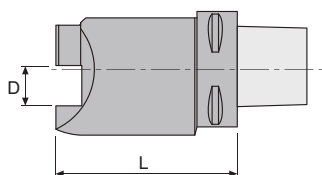


CODE N.	SHANK	D1	b1	b2	h	h1	L1	L2	L3	L4
C63-ARD2525-45-IC	C63	63	35	70	25	45	102	20	58	86

45° DRENHALTER MIT POLYGONSCHAFT

45° POLYGONAL TOOLHOLDER PORTAUTENSILE 45° CON ATTACCO POLIGONALE  
 PORTAHERRAMIENTA 45° CON SUJECION POLIGONAL PORTE-OUTIL 45° AVEC ATTACHEMENT POLYGONALE  
 ПАТРОНЫ DIN ДЛЯ ДЕРЖАВОК ДЛЯ НАРУЖНОГО ТОЧЕНИЯ 45 ГРАДУСОВ 45°多边形刀柄

DIN ISO 26623-1

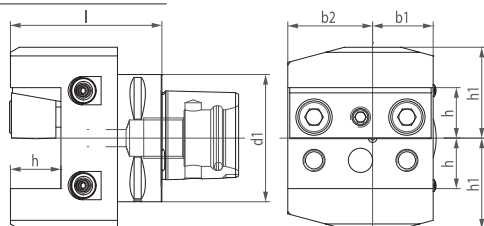


CODE N.	ATTACCO SHANK	D mm	L mm
C63AR25R/L	C63	25	130

RADIAL TOOLHOLDER

RADIAL WERKZEUGHALTER PORTAUTENSILE RADIALE  
 PORTAHERRAMIENTA RADIAL PORTE-OUTIL RADIAL  
 РЕЗЦЕДЕРЖАТЕЛИ РАДИАЛЬНЫЕ 径向刀柄

DIN ISO 26623-1

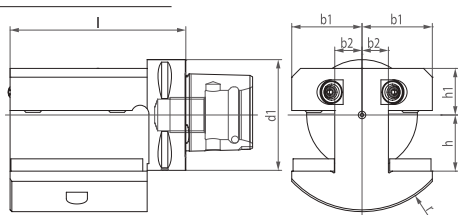


CODE N.	SHANK	d1	b1	b2	h	h1	l
C63RD25R	C63	63	30	42	25	45	75

AXIAL TOOLHOLDER

AXIAL WERKZEUGHALTER PORTAUTENSILE ASSIALE  
 PORTAHERRAMIENTA AXIAL PORTE-OUTIL AXIAL  
 РЕЗЦЕДЕРЖАТЕЛИ ОСЕВЫЕ 轴向刀柄

DIN ISO 26623-1

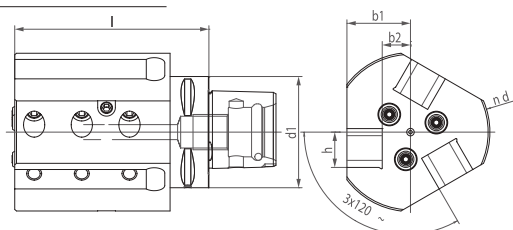


CODE N.	SHANK	d1	b1	b2	h	h1	l	r
C63AX25/32	C63	63	40	15	25/32	26.5	110	55

AXIAL TOOLHOLDER

AXIAL WERKZEUGHALTER PORTAUTENSILE ASSIALE  
 PORTAHERRAMIENTA AXIAL PORTE-OUTIL AXIAL  
 РЕЗЦЕДЕРЖАТЕЛИ ОСЕВЫЕ 轴向刀柄

DIN ISO 26623-1

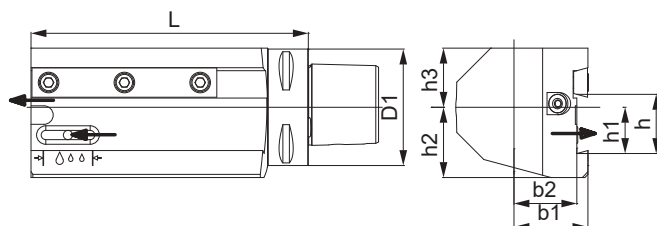


CODE N.	SHANK	d1	b1	b2	h	l	d
C63AT20R	C63	63	36	16	20	110	90
C63AT20L	C63	63	36	16	20	110	90

AXIAL TOOLHOLDER FOR CUT OFF TOOLS

AXIAL ABSTECHEMISSELHALTER PORTAUTENSILE ASSIALE PER LAMA DA TAGLIO  
 PORTAHERRAMIENTAS AXIAL PARA HOJA DE CORTE PORTE-OUTIL AXIAL DE TRONCONNAGE  
 ДЕРЖАТЕЛИ ОСЕВЫЕ ДЛЯ ОТРЕЗНЫХ РЕЗЦОВ 用于切断工具的轴向刀柄

DIN ISO 26623-1 - C50/C63

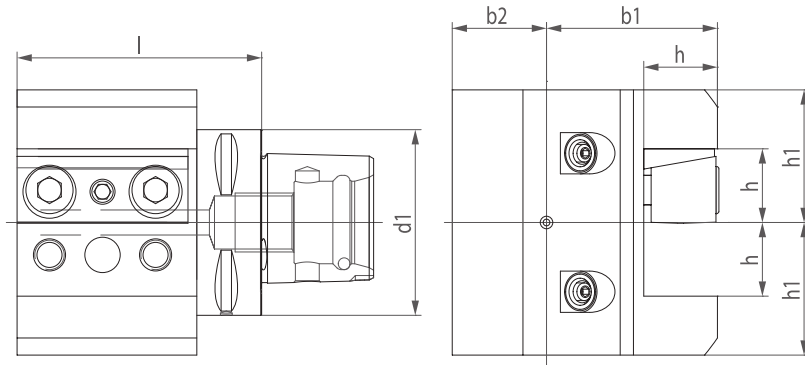


CODE N.	SHANK	D1	b1	b2	h	h1	h2	h3	L
C50-SCAR26R/L-IC	C50	50	33	27	26	21,4	34	30	115
C63-SCAR26R/L-IC	C63	63	40	34	26	21,4	34	31,5	115
C63-SCAR32R/L-IC	C63	63	40	34	32	25	38	32	150

AXIAL TOOLHOLDER

AXIAL WERKZEUGHALTER PORTAUTENSILE ASSIALE  
 PORTAHERRAMIENTA AXIAL PORTE-OUTIL AXIAL  
 РЕЗЦЕДЕРЖАТЕЛИ ОСЕВЫЕ 轴向刀柄

DIN ISO 26623-1

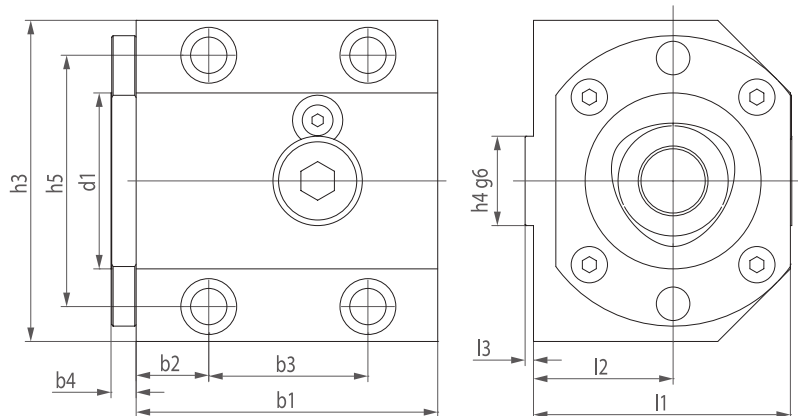


CODE N.	SHANK	d1	b1	b2	h	h1	l
C63AD25R	C63	63	58	32	25	45	83

LONGITUDINAL TOOLHOLDER FOR BORING BARS

LÄNGSWERKZEUGHALTER PORTAUTENSILE LONGITUDINALE PER  
 FÜR BOHRSTANGEN FÜR STERNREVOLVER BARENI, PER TORRETTA RADIALE  
 PORTAHERRAMIENTA LONGITUDINAL PARA BARRAS PORTE-OUTIL LONGITUDINAL POUR OUTILS A ALESER  
 ДЕРЖАТЕЛИ РАСТОЧНЫХ РЕЗЦОВ ПРОДОЛЬНЫЕ 镗头柄水平式刀柄

DIN ISO 26623-1



CODE N.	d1	h3	h4	h5	b1	b2	b3	b4	l1	l2	l3
PU4-25-C4	40	92	25	71	78	22	43	6	56	29	3
PU4-25-C5	50	92	25	71	87	22	43	8	74	39	3
PU4-32-C5	50	115	32	90	95	26	57	8	74	39	3
PU4-32-C6	63	115	32	90	108	26	57	9	95	50	3

AXIAL TOOLHOLDER WITH POLYGONAL COUPLING

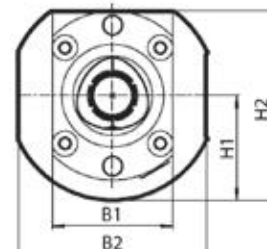
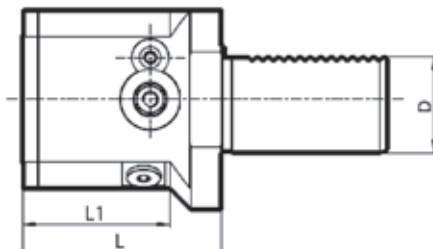
AXIAL WERKZEUGHALTER MIT POLYGONSCHAFT KUPPLUNG  
 PORTAHERRAMIENDA AXIAL PARA HERRAMIENTAS  
 CON SUJECION POLIGONAL  
 ОСЕВОЙ ДЕРЖАТЕЛЬ ИНСТРУМЕНТА  
 С ПОЛИГОНАЛЬНЫМ ХВОСТОВИКОМ

PORTAUTENSILE ASSIALE PER UTENSILI  
 CON ATTACCO POLIGONALE  
 PORTE-OUTIL AXIAL AVEC ATTACHEMENT POLYGONALE  
 多边形耦合轴向刀柄

DIN ISO 26623-1



RIGHT-HAND  
 VERSION SHOWN



CODE N.	ATTACCO SHANK	L	L1	D	B1	B2	H1	H2
VDI40L75C40R/L	C40	75	56	40	48	75	41	75
VDI40L85C50R/L	C50	85	72	40	64	75	41	83
VDI40L109C63R/L	C63	109	109	40	84	84	52	104
VDI50L85C50R/L	C50	85	62	50	64	83	49	91
VDI50L105C63R/L	C63	105	105	50	84	84	52	104

RADIAL TOOLHOLDER WITH POLYGONAL COUPLING

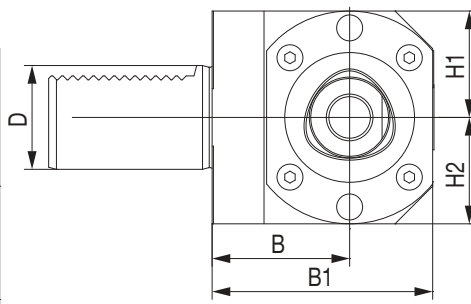
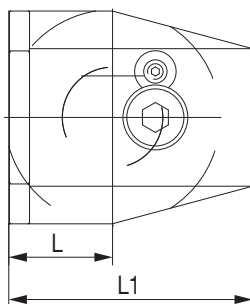
RADIAL WERKZEUGHALTER MIT POLYGONSCHAFT KUPPLUNG  
 PORTAHERRAMIENDA RADIAL PARA HERRAMIENTAS  
 CON SUJECION POLIGONAL  
 РАДИАЛЬНЫЙ ДЕРЖАТЕЛЬ ИНСТРУМЕНТА  
 С ПОЛИГОНАЛЬНЫМ ХВОСТОВИКОМ

PORTAUTENSILE RADIALE PER UTENSILI  
 CON ATTACCO POLIGONALE  
 PORTE-OUTIL RADIAL AVEC ATTACHEMENT POLYGONALE  
 带多边形耦合的轴向刀柄

DIN ISO 26623-1



RIGHT-HAND  
 VERSION SHOWN

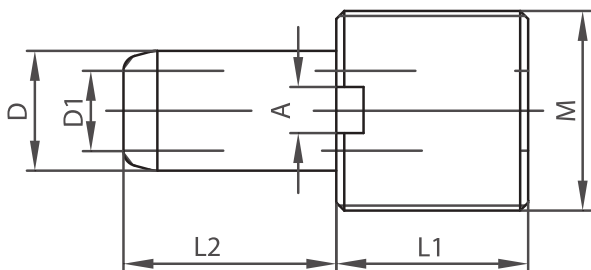


CODE N.	ATTACCO SHANK	D	L	L1	B	B1	H1	H2
VDI40RADL30C40R/L	C40	40	30	83	51	75	33,5	38
VDI40RADL40C50R/L	C50	40	40	94	53	85	41	41
VDI40RADL40C63R/L	C63	40	40	116	53	95	52	52
VDI50RADL40C50R/L	C50	50	40	94	53	85	43	43
VDI50RADL40C63R/L	C63	50	40	116	53	95	52	52

COOLANT SUPPLY UNIT

KÜHLMITTELÜBERGABEROHR SET ADDUZIONE REFRIGERANTE  
 TUBO DE REFRIGERANTE DISPOSITIF DE TRANSFERT DE LIQUIDE DE LUBRIFICATION  
 СОПЛА ДЛЯ ВНУТРЕННЕЙ ПОДАЧИ СОЖ 冷却剂供应装置

DIN ISO 26623-1

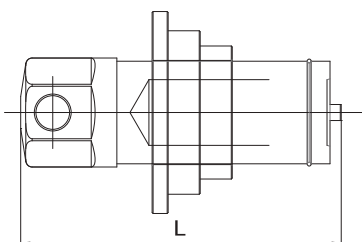
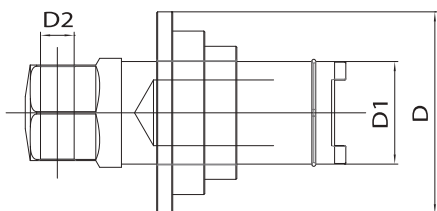


CODE N.	ATTACCO SHANK	M	D	D1	L1	L2	A
832-016080	C40	M14x1,5	6	4	12	13,5	3
832-016090	C50	M16x1,5	7	5	14	14,4	3
832-016100	C63	M20x2	8	6	15	15,7	3
832-016110	C80	M20x2	10	8	15	16,6	3

KEY FOR COOLANT SUPPLY UNIT

SCHLÜSSEL FÜR KÜHLMITTELÜBERGABESATZ CHIAVE PER ADDUTTORE REFRIGERANTE  
 LLAVE PARA TUBO DE REFRIGERANTE CLE POUR LE DISPOSITIF DE TRANSFERT DE LIQUIDE DE LUBRIFICATION  
 КЛЮЧИ К СОПЛАМ ДЛЯ ВНУТРЕННЕЙ ПОДАЧИ СОЖ 冷却剂供应装置键

DIN ISO 26623-1

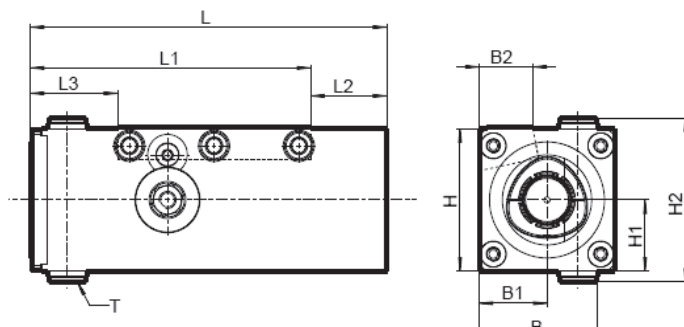


CODE N.	ATTACCO SHANK	D	D1	D2	L
816-204026	C50	42	26	10,5	90
816-204027	C63	63	32	10,5	100

TOOLHOLDER WITH SQUARE SHANK AND WITH POLYGONAL ATTACHMENT

WERKZEUGHALTER MIT VIERECKIGEM SCHAFT PORTAUTENSILE A STELO QUADRO  
 UND MIT POLYGONSCHAFT KUPPLUNG CON ATTACCO POLIGONALE  
 PORTAHERRAMIENTA DE TALLO CUADRADO PORTE-OUTIL AVEC QUEUE CARÉE  
 CON MANGO POLIGONAL ET AVEC ATTACHEMENT POLYGONALE  
 ДЕРЖАТЕЛИ С ПРИЗМАТИЧЕСКИМ ХВОСТОВИКОМ 带多边形接口的方杆刀柄  
 ДЛЯ ИНСТРУМЕНТА С ХВОСТОВИКОМ HSK

DIN ISO 26623-1

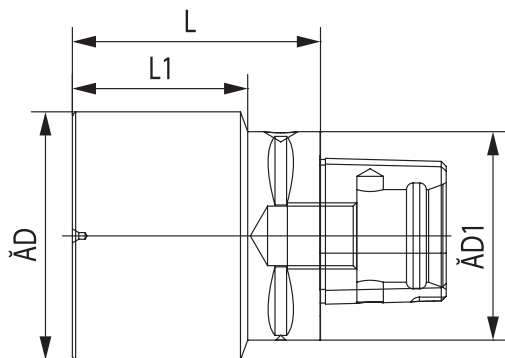


CODE N.	MISURA	L	L1	L2	L3	B	B1	B2	H	H1	H2	T
Q50L125C40R/L	C40	125	100	25	31	42	24	19	50	25	57,5	G 1/8

POLYGONAL BLANK TOOLHOLDER

POLYGONSCHAFT-ROHLING MANDRINO A STELO TENERO CON ATTACCO POLIGONALE  
 CONO SEMIACABADO CON SUJECION POLIGONAL SEMI-FINIES AVEC ATTACHEMENT POLYGONALE  
 ЗАГОТОВКА С ПОЛИГОНАЛЬНЫМ ХВОСТОВИКОМ 多边形空白刀柄

DIN69893 A



HRC26-28

CODE N.	ATTACCO SHANK	D1	D	L	L1
C40H165D63	C40	40	63	165	145
C50H150D50	C50	50	50	150	130
C50H150D91	C50	50	91	150	130
C63H180D63	C63	63	63	180	158
C63H100D115	C63	63	115	100	78
C63H75D91	C63	63	91	75	53
C80H200D80	C80	80	80	200	170
C80H140D110	C80	80	110	140	110
C80H160D115	C80	80	115	160	130

ASSEMBLY SUPPORTS

MONTAGEBLOCK SUPPORTO DI MONTAGGIO  
 SOPORTE DE MONTAJE SUPPORTS D'ASSEMBLAGE  
 СТОЙКА ДЛЯ СБОРКИ ИНСТРУМЕНТА 组件支架

DIN ISO 26623-1

It is very useful for all assembly and disassembly operations of the tools on the toolholders, either in horizontal or in vertical position. This process is carried out without any risk to damage casually the tool or the toolholder. It is a very simple system suitable for Din toolholders.

Consente di effettuare tutte le operazioni di montaggio e smontaggio degli utensili sui mandrini, sia in orizzontale che in verticale. Questi procedimenti avvengono con razionalità, sicurezza, rapidità e senza alcun rischio di danneggiare o il mandrino o l'utensile. E' il sistema che offre la massima semplicità d'uso per i mandrini Poligonali.

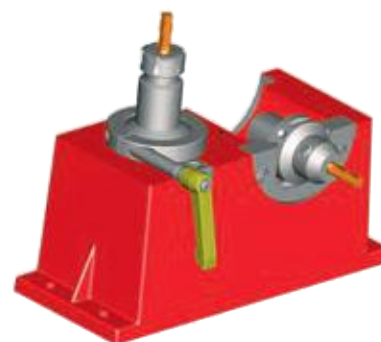
Dieses unkompliziertes System erlaubt die schnelle und sichere Montage und Demontage von Steilkegelaufnahmen in horizontaler und vertikaler Lage. Das Risiko der Werkzeugbeschädigung ist ausgeschlossen. Es eignet sich natürlich auch für modulare Din-Aufnahmen.

Permite efectuar todas las operaciones de montaje y desmontaje de las herramientas sobre los conos, tanto en horizontal como en vertical. Esos procedimientos se realizan con seguridad, rapidez y sin algún riesgo de dañar el cono o la herramienta. Es un sistema que ofrece la máxima simplicidad de uso para los conos con mango Poligonal.

Il permetts d'effectuer toutes les operations de montage /assemblage/ demontage des outils sur les Mandrins. Ces proces se déroulent avec rationalité, sureté, vitesse et sans aucun risque d'endommagement accidentel du mandrin ou de l'outil. C'est un système qui vous offre la plus haute simplicité d'usage et il est bien indiqué pour les Din mandrin.

Приспособление очень удобно для операций сборки и демонтажа инструмента, как в вертикальном, так и в горизонтальном положении. Оно позволяет избежать повреждения оправок или режущего инструмента. Это простое приспособление подходит для монолитных оправок.

它对于所有将工具以垂直或水平方向安装在刀柄上和从刀柄上拆除, 均非常有用。这一过程的执行不会对工具或刀柄产生任何破坏的风险。这一非常简单的系统适用于整体式刀柄。



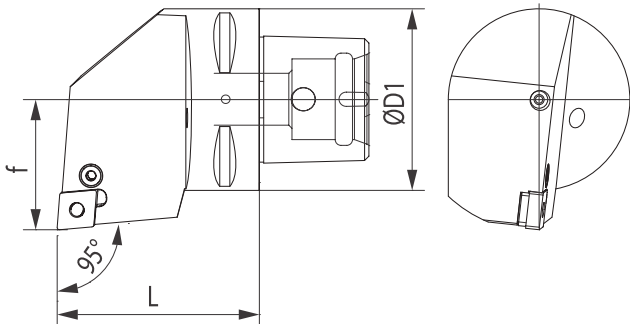
ATTACK	CODE N.
C40	237-33210
C50	237-33310
C63	237-33410
C80	237-33510

POLYGONAL TURNING TOOL

KLEMMHALTER MIT POLYGONSCHAFT  
 HERRAMIENTA DE TORNEADO CON SUJECION POLIGONAL  
 ДЕРЖАВКА ДЛЯ НАРУЖНОГО ТОЧЕНИЯ DIN

UTENSILE TORNITURA CON ATTACCO POLIGONALE  
 PORTE-OUTIL AVEC ATTACHEMENT POLYGONALE  
 多边形车刀

DIN ISO 26623-1 - **PCLN**



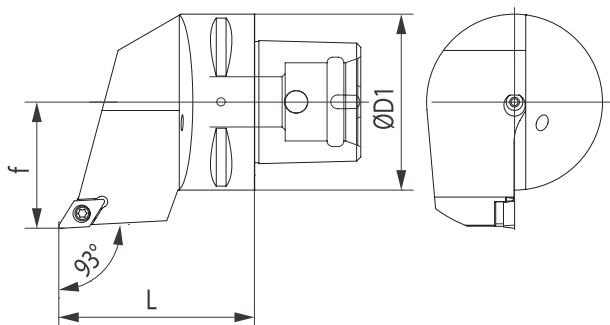
CODE N.	ATTACCO SHANK	D1 mm	f mm	L mm	INSERT
C63-PCLNR/L12	C63	63	45	65	CN..1204..

POLYGONAL TURNING TOOL

KLEMMHALTER MIT POLYGONSCHAFT  
 HERRAMIENTA DE TORNEADO CON SUJECION POLIGONAL  
 ДЕРЖАВКА ДЛЯ НАРУЖНОГО ТОЧЕНИЯ DIN

UTENSILE TORNITURA CON ATTACCO POLIGONALE  
 PORTE-OUTIL AVEC ATTACHEMENT POLYGONALE  
 多边形车刀

DIN ISO 26623-1 - **SDJC**



Code N.	ATTACCO SHANK	D1 mm	f mm	L mm	INSERT
C63-SDJCR/L11	C63	63	45	65	DC..11T3..

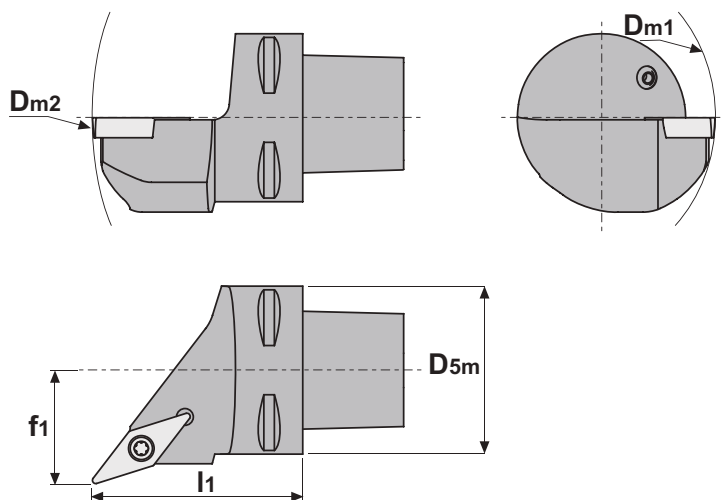


POLYGONAL TURNING TOOL

KLEMMHALTER MIT POLYGONSCHAFT  
HERRAMIENTA DE TORNEADO CON SUJECION POLIGONAL  
ДЕРЖАВКА ДЛЯ НАРУЖНОГО ТОЧЕНИЯ DIN

UTENSILE TORNITURA CON ATTACCO POLIGONALE  
PORTE-OUTIL AVEC ATTACHEMENT POLYGONALE  
多边形车刀

DIN ISO 26623-1 - **SVHC**



Code N.	ATTACCO SHANK	l1 mm	f1 mm	INSERT
C63-SVHCR/L16	63	65	45	VCMT1604..

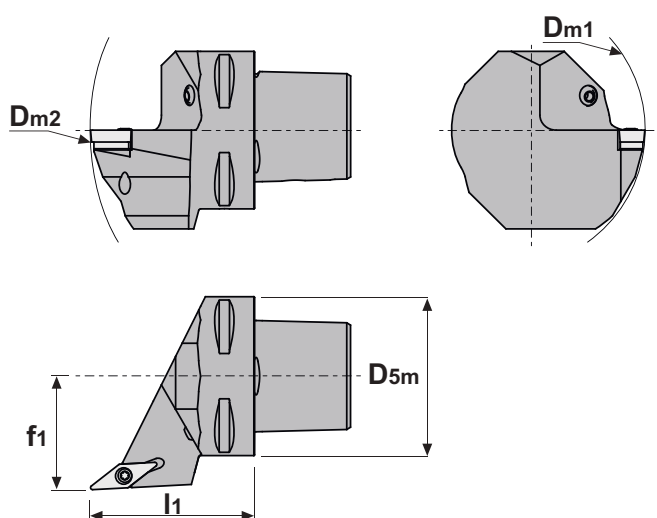
02

POLYGONAL TURNING TOOL

KLEMMHALTER MIT POLYGONSCHAFT  
HERRAMIENTA DE TORNEADO CON SUJECION POLIGONAL  
ДЕРЖАВКА ДЛЯ НАРУЖНОГО ТОЧЕНИЯ DIN

UTENSILE TORNITURA CON ATTACCO POLIGONALE  
PORTE-OUTIL AVEC ATTACHEMENT POLYGONALE  
多边形车刀

DIN ISO 26623-1 - **SVJB**

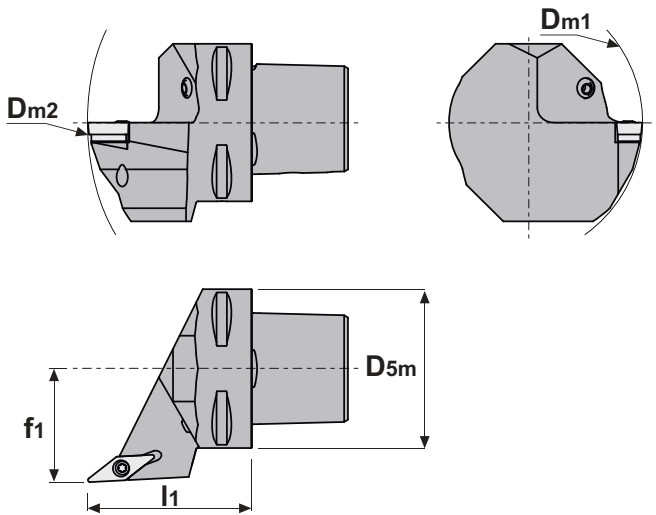


CODE N.	ATTACCO SHANK	l1 mm	f1 mm	INSERT
C63-SVJBR/L16	63	65	45	VBMT1604..

POLYGONAL TURNING TOOL

KLEMMHALTER MIT POLYGONSCHAFT UTENSILE TORNITURA CON ATTACCO POLIGONALE  
 HERRAMIENTA DE TORNEADO CON SUJECION POLIGONAL PORTE-OUTIL AVEC ATTACHEMENT POLYGONALE  
 ДЕРЖАВКА ДЛЯ НАРУЖНОГО ТОЧЕНИЯ DIN 多边形车刀

DIN ISO 26623-1 - **SVJC**

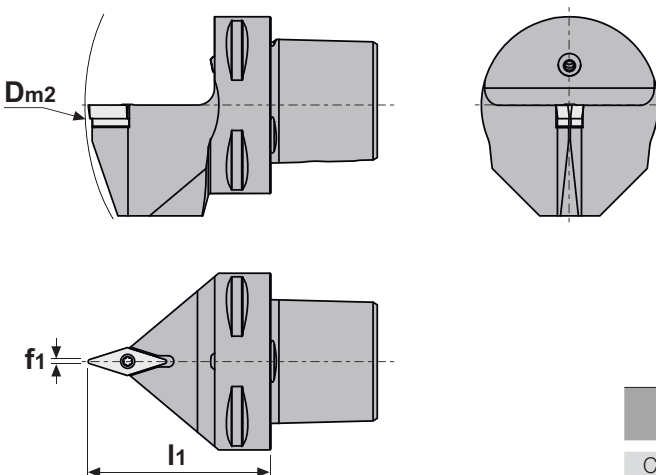


CODE N.	ATTACCO SHANK	l1 mm	f1 mm	INSERT
C63-SVJCR/L16	63	65	45	VCMT1604..

POLYGONAL TURNING TOOL

KLEMMHALTER MIT POLYGONSCHAFT UTENSILE TORNITURA CON ATTACCO POLIGONALE  
 HERRAMIENTA DE TORNEADO CON SUJECION POLIGONAL PORTE-OUTIL AVEC ATTACHEMENT POLYGONALE  
 ДЕРЖАВКА ДЛЯ НАРУЖНОГО ТОЧЕНИЯ DIN 多边形车刀

DIN ISO 26623-1 - **SVVC**



CODE N.	ATTACCO SHANK	f1 mm	l1 mm	D2	INSERT
C63-SVCN16-190	63	0,6	65	190	VCMT1604..